

20-TON-PLUS Single-Packaged Rooftop Units



Carrier[®]
Turn to the Experts.SM



The Carrier Weather Series single-packaged rooftop units provide solutions for every comfort-conditioning requirement. The Weather Series rooftop units in 20 ton and larger capacities are designed for optimal performance with Puron® refrigerant.

WeatherMaster® units provide high-energy efficiency to meet ASHRAE 90.1 requirements and offer a wide range of feature choices to meet unique application requirements.

WeatherMaker® products provide reliable, dependable cooling and heating at an extremely affordable cost and meet the latest ASHRAE 90.1 energy efficiency requirements.

The Weather Series rooftop units offer a wide range of options for either factory or field installation. With leading energy efficiency levels, backward replacement capability, and a host of available options, the Weather Series units are ideal for replacement applications and new construction projects.



Single-Packaged Rooftop Units Factory-Packaged VAV Solution

Flexibility

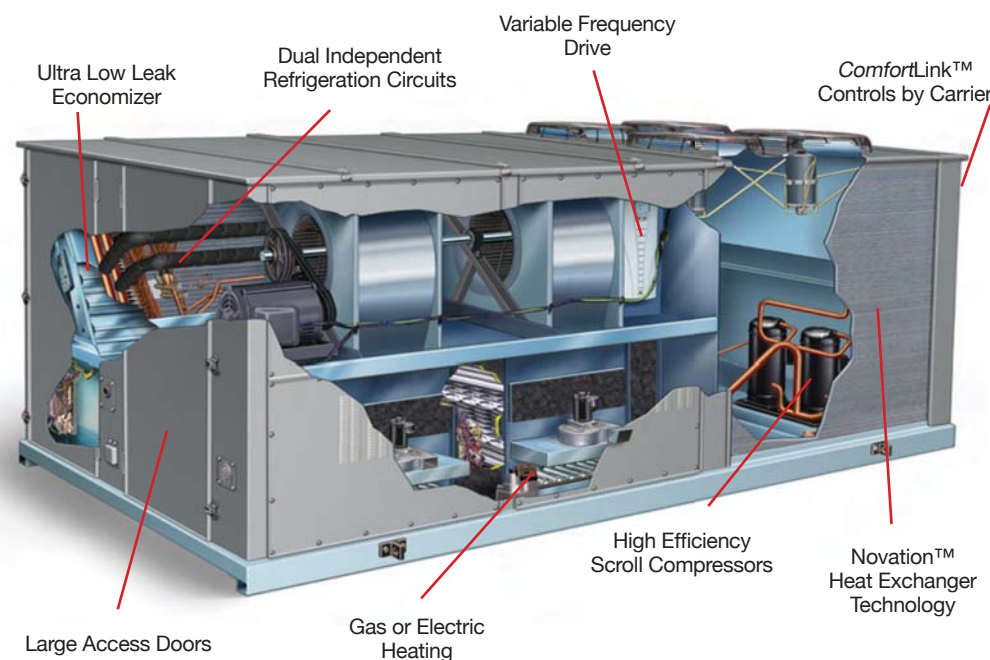
Units are provided with dedicated vertical or horizontal supply/return configurations to allow easy utilization on replacement jobs or new construction applications. The rooftop unit may be configured to precisely match the building requirements through the use of factory-installed options such as: integrated economizer, power exhaust, premium efficiency indoor fan motors and coil protection options.

Efficiency

Weather Series rooftop units save money in operating costs through a variety of means. These units utilize Novation™ heat exchanger technology for improved operating efficiency. The staging of Weather Series units equipped with scroll compressors allows the capacity of the unit to be precisely matched to the cooling/heating requirements of the building. Variable-frequency drive (VFD)-controlled high-efficiency indoor fan motors conserve energy while providing the airflow requirements for superior temperature control. These energy efficiency features insure that you maximize the value of your energy expenditures.

ASHRAE 90.1

WeatherMaker® 48/50A



Indoor Air Quality

Weather Series rooftop unit's indoor air quality options include: double wall construction, economizer control via outdoor air temperature, enthalpy, or CO₂, sloped condensate drain pans available in stainless steel, gear-driven economizers capable of handling 100% outdoor air, demand control ventilation (DCV), and high-efficiency filtration systems.

Serviceability

Weather Series large rooftop units are designed with low life cycle costs in mind. A key component of life cycle cost is installation and service. Carrier rooftop units excel in this area by providing: single point electrical connections — making electrical service access available through the roof curb or the side of the unit — large-sized hinged access panels and built-in diagnostic routines.

LOW LIFE CYCLE COSTS



The Right Level of Control

The *ComfortLink™* Controls by Carrier are your link to a world of simple and easy-to-use rooftop units that offer outstanding performance and value. The Weather Series rooftop units are uniquely designed in that the controls will support both constant volume (CV) and variable air volume (VAV) applications.

The *ComfortLink™* Controls maintain control over the unit's major systems including the compressor, condenser fans, supply fan, economizer and power exhaust. Based on input from a space temperature sensor or a simple thermostat, the control optimizes the performance of the multiple refrigeration circuits to maintain occupant comfort as conditions change.

The *ComfortLink™* Controls by Carrier make it easy to monitor and control each Weather Series rooftop unit. The large scrolling marquee and optional navigator display act as windows into the unit's operation. These features simplify unit start-up and provide the maintenance technician with all of the unit's operational and performance data. In addition, Weather Series rooftop units with *ComfortLink™* Controls are also configured for use with the Carrier Comfort Network® (CCN) controls system or other communication protocols. This on-board communication capability can provide remote control as well as monitoring, data collection and alarms.

For all your comfort needs, Carrier has the right level of control.



48/50A WeatherMaker®
20 to 60 Tons
Puron® Refrigerant



48/50P WeatherMaster®
30 to 100 Tons
Puron® Refrigerant

Selection Guide

	Unit Size – Tons												
	20	25	27	30	35	40	50	55	60	70	75	90	100
WeatherMaker with Puron® Refrigerant	✓	✓	✓	✓	✓	✓	✓		✓				
WeatherMaster with Puron® Refrigerant				✓	✓	✓	✓	✓	✓	✓	✓	✓	✓

Factory-Installed Options

- Double-Wall Construction
- Enthalpy Control Economizer
- Dry Bulb Control Economizer
- Hydronic Heat
- Modulating Power Exhaust
- Fused Disconnect
- Modulating Gas Heat
- *Enviro-Shield™* Coil Protection
- Premium Efficiency Supply Fan Motor
- Stainless Steel Drain Pan
- Hot Gas Bypass
- Staged Gas Heat
- Humidity Control
- CO₂ Sensor
- 115V Convenience Outlet
- UV-C Germicidal Lamps
- High-Efficiency Filtration
- Smoke Detector
- Electric Heat
- Return Fan
- Non-Fused Disconnect
- Stainless Steel Heat Exchanger
- Open Protocol Communications

Benefits at a Glance For Building Owners and Managers

- Easy system monitoring
- Reduced operating expense
- Advanced IAQ solutions
- Supports LEED® certification
- Delivers greater occupant comfort

For Consulting Engineers

- ASHRAE 90.1 compliant
- Advanced IAQ solutions
- HFC refrigerant
- Simple to specify
- System-integrated controls

For Contractors

- Streamlined installation
- Easy to service
- Extensive factory-installed options
- Ideal for replacement
- 100 percent run-tested units

Turn to the Experts

Whatever your HVAC needs, from specifying and purchasing to installation and maintenance, Carrier has the solution. As the world leader in heating, ventilation and air conditioning, Carrier is committed to continually improving the quality of comfort for our customers.

From concept to finished product, your local Carrier sales representatives walk with you every step of the way. Whether you have one building, multiple sites nationwide or special equipment and facility requirements, Carrier sales representatives will recommend a solution that fits your scope and budget.



Turn to the Experts.™

www.carrier.com
1-800-CARRIER

CARRIER CORPORATION ©2009

A member of the United Technologies Corporation family.
Stock symbol UTX. 04-811-50002-25

Manufacturer reserves the right to discontinue, or change at any time, specifications or designs, without notice and without incurring obligations.



Printed on recycled paper utilizing 10% post-consumer waste.



By buying products with the tri-certification logo you are supporting responsible forest management worldwide.